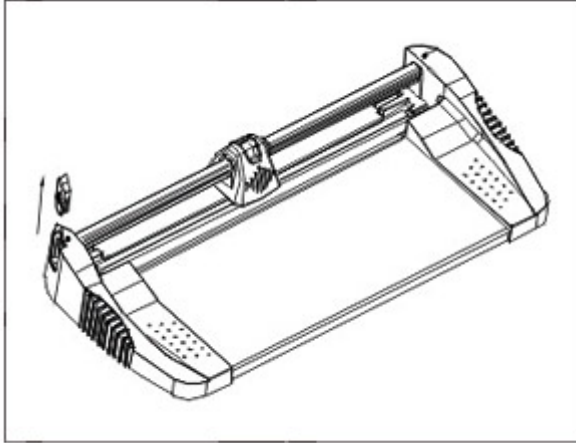


# Troubleshooting - Trimmers

## Realigning & Changing the Cutting Head

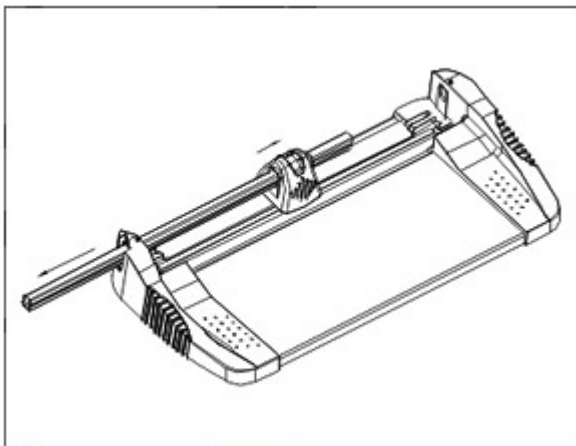
### STEP 1

Remove the end cap by sliding it upwards.



### STEP 2

Holding the cutting head, pull the guide rail out until the bar is released from the right hand side and pressure is released from the cutting head.

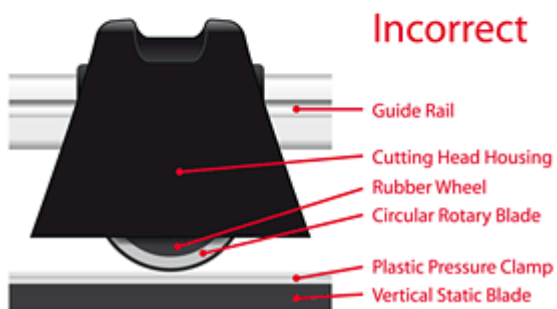
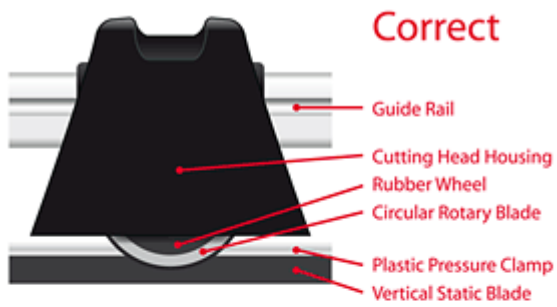


### STEP 3

If the blade is blunt, remove the cutting head and slide a new cutting head onto the guide rail, ensuring that it is the same way round as the old one.

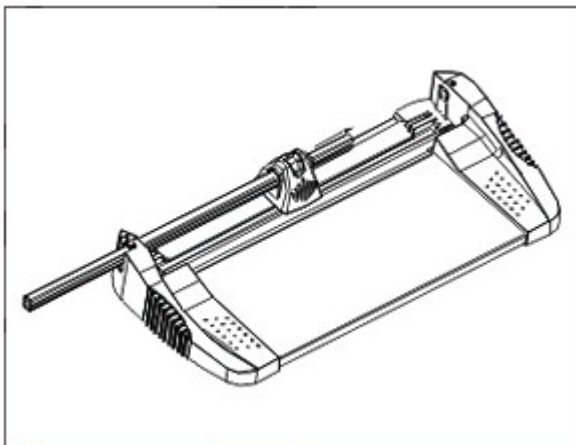
Align the cutting head as per the diagram below, ensuring that:

1. The rubber wheel inside the cutting head sits on top of the plastic pressure clamp.
2. The circular rotary blade runs alongside the metal cutting edge and does not sit on top of the table or plastic pressure clamp.



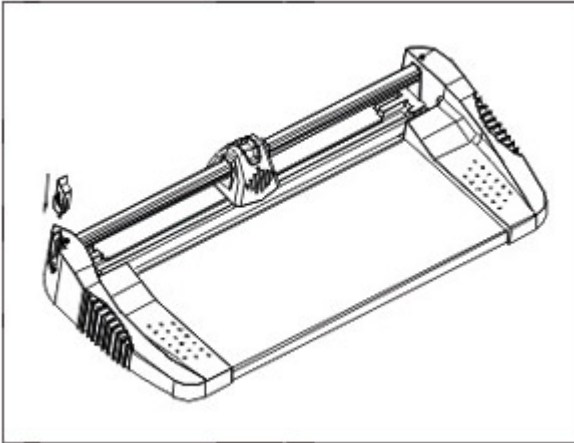
#### STEP 4

Once aligned, hold the cutting head firmly with one hand and gently slide the guide rail back into the right hand side location.



## STEP 5

Replace the end cap.



## STEP 6

Your Swordfish trimmer should now be ready to use.