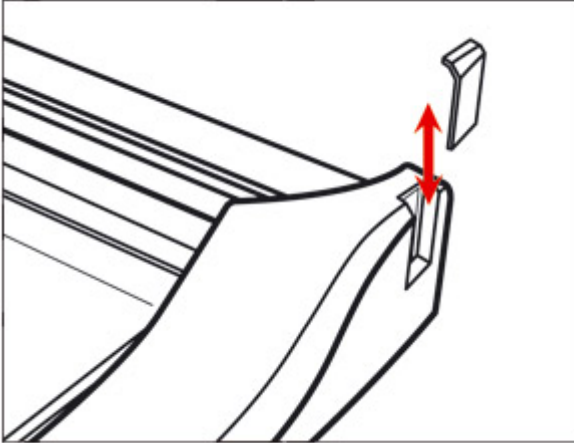


Troubleshooting - Trimmers

Realigning & Changing the Cutting Head

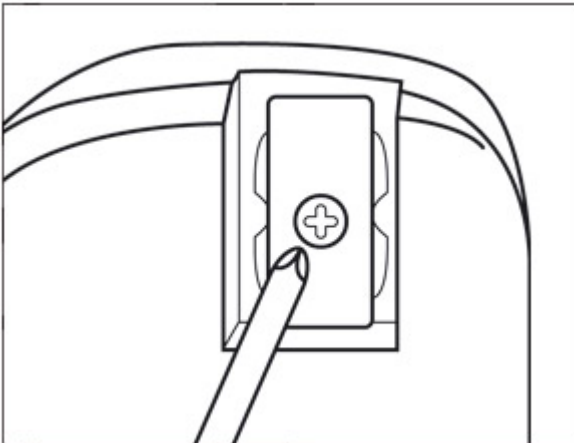
STEP 1

Remove the end caps from both ends of the trimmer by sliding them upwards.



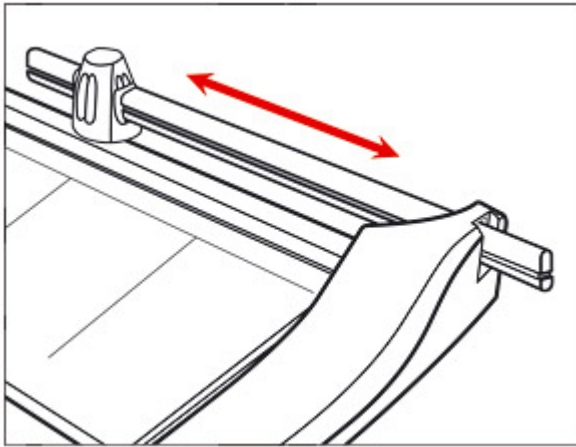
STEP 2

Using a screwdriver, remove the screws securing the guide rail at each end of the trimmer.



STEP 3

Holding the cutting head, pull the guide rail out until the bar is released from one side. This will also release pressure from the cutting head.

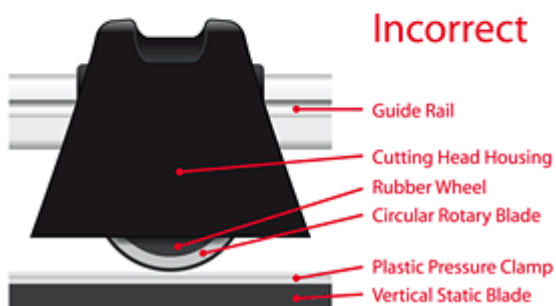
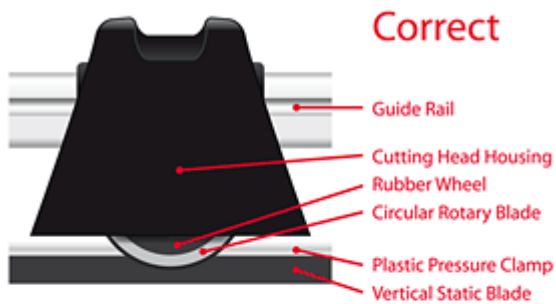


STEP 4

If the blade is blunt, remove the cutting head and slide a new cutting head onto the guide rail, ensuring that it is the same way round as the old one.

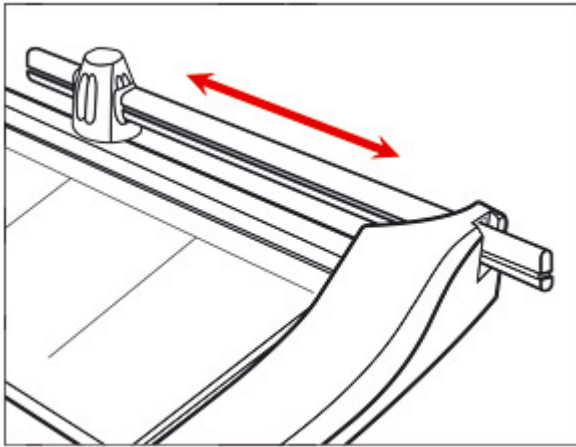
Align the cutting head as per the diagram below, ensuring that:

1. The rubber wheel inside the cutting head sits on top of the plastic pressure clamp.
2. The circular rotary blade runs alongside the metal cutting edge and does not sit on top of the table or plastic pressure clamp.



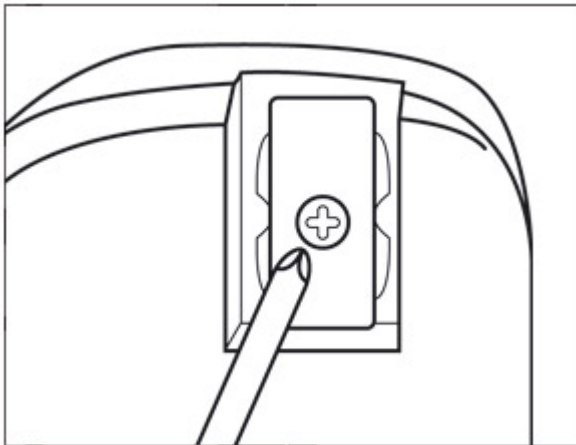
STEP 5

Once aligned, hold the cutting head firmly with one hand and gently slide the guide rail back into the side locations.



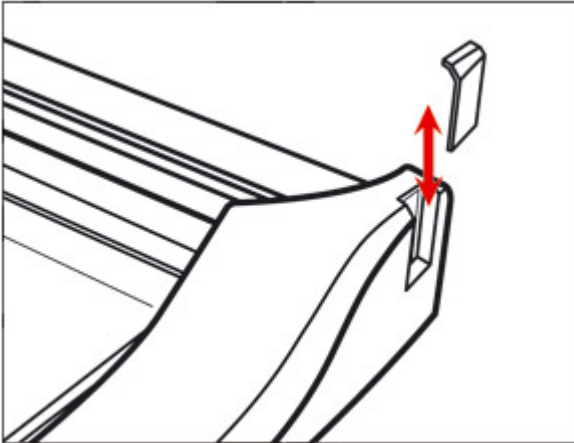
STEP 6

Using a screwdriver, gradually replace both screws by screwing a small amount at one end and then the other, alternating until the screws are securely in place. This is important to ensure that tension is distributed evenly along the guide rail.



STEP 7

Replace the end caps at both ends of the trimmer by sliding them downwards.



STEP 8

Your Swordfish trimmer should now be ready to use.