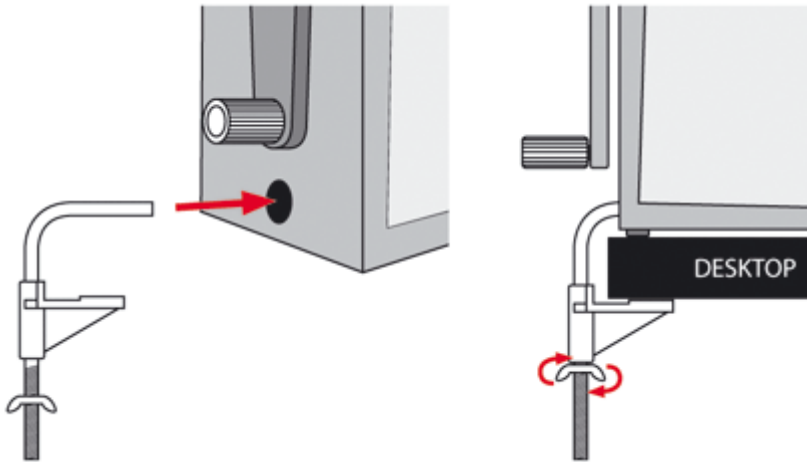


Step By Step Guide - Manually Operated Sharpeners

STEP 1

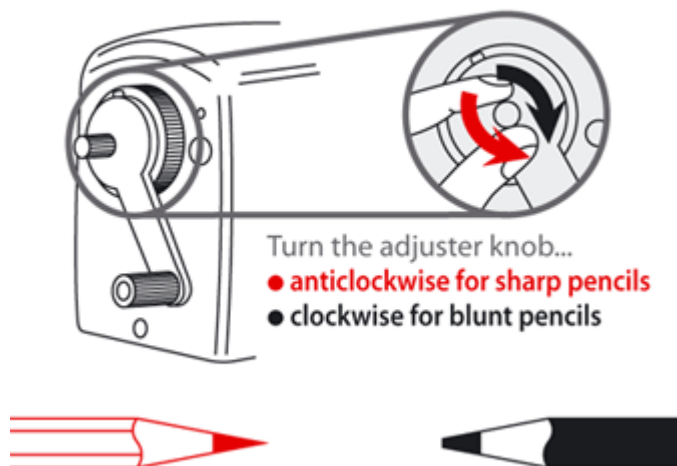
Place the sharpener on a flat surface. If necessary, secure in place with the desk clamp following the diagram below:



STEP 2

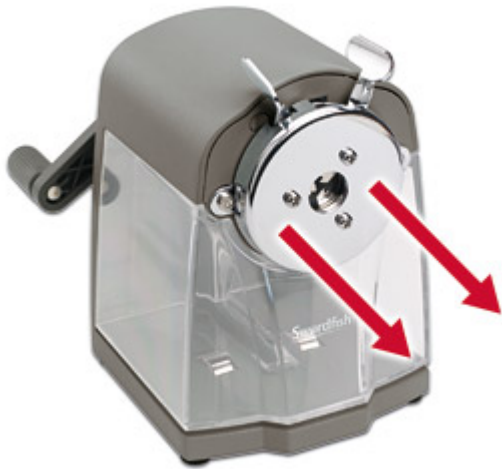
If the sharpener has pencil point options, then check that the desired pencil point is selected following the diagram below. Hold the handle still whilst turning the adjuster knob.

PENCIL POINT OPTIONS



STEP 3

Pull out the front plate until it locks into position. This is very important, as turning the handle before extending the front plate will damage the sharpener.



STEP 4

Push the levers together and insert the pencil.



STEP 5

Turn the handle clockwise to sharpen the pencil. The sharpener will automatically stop sharpening when the pencil has reached the selected sharpness. When this occurs you will feel less resistance.

STEP 6

Push the levers together and remove the pencil. Then turn the handle clockwise if the front plate has not fully retracted.



STEP 7

Empty the shavings tray if necessary by sliding it out from the main sharpener unit. It is recommended that you clean the blade regularly with a small brush.

