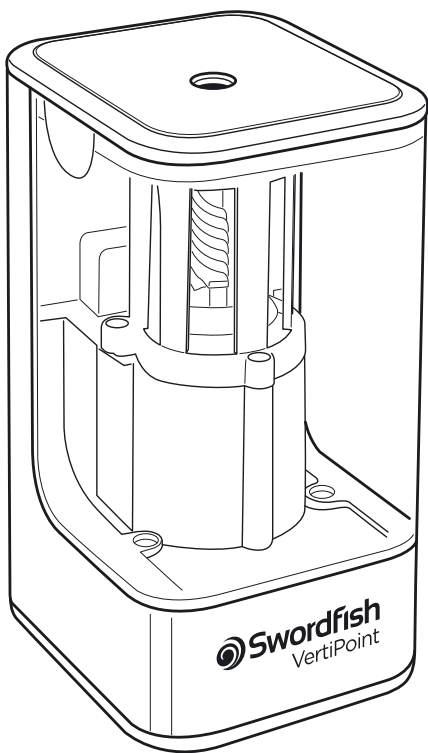




Swordfish

VertiPoint Electric Pencil Sharpener



Swordfish
VertiPoint

Operating Instructions

Please read the following instructions before operating your sharpener.

Sharpening

The Swordfish VertiPoint sharpener is supplied with a 9 Volt DC power adaptor. Plug the adaptor into a convenient 13 Amp socket and insert the jack-plug into the socket on the rear of the sharpener.


Operating Instructions

- Insert a standard 8mm pencil into the sharpener.
- The sharpener will start to operate. When the pencil is sharp, the sharpener will stop, automatically.
- To empty the sharpener, remove the top cover and upturn the machine over a waste bin.
- Please note that a safety interlock prevents the sharpener from running when the top cover is removed.
- **Do not allow the shavings tray to over-fill as this can cause permanent damage to the sharpener mechanism.**

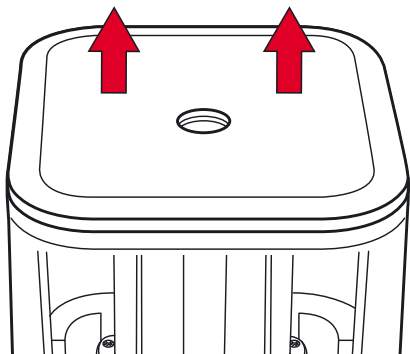
Caution

- Adult supervision required.
- Do not insert a finger into the sharpener as this may cause injury.
- This is a pencil sharpener. Do not insert any other object.
- Do not immerse this sharpener in water.

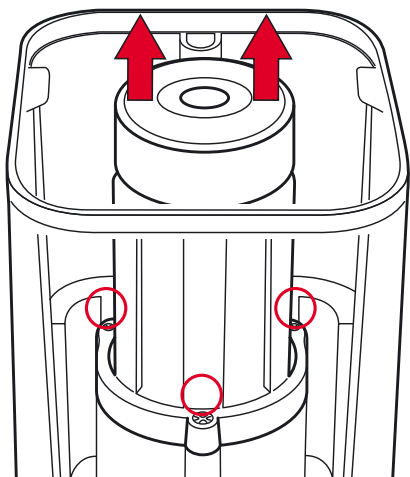
Clean or replace the blade assembly

 **WARNING - the edges of the helical blade are sharp!**

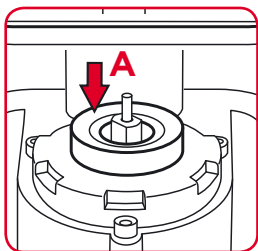
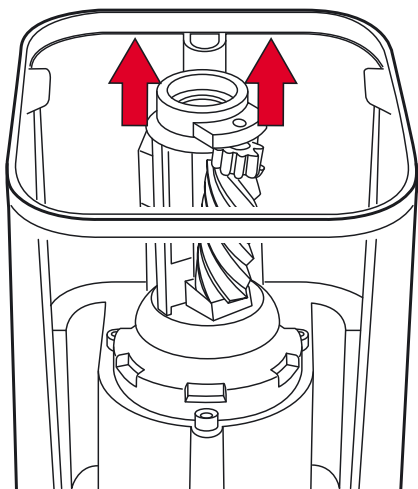
- Remove the top cover.



- Loosen the three screws that secure the blade support cage and remove it.



- Lift out the old blade. Take care not to lose the foam ring **(A)**.



- Insert the new blade.
- Replace the blade support cage. Note that the raised rib at the top of the cage must face forward.
- Replace the shavings tray cover before using the shaver.

For troubleshooting and product support, please visit www.snopakebrands.com