

Please read the following instructions before operating your sharpener.



● **To be used under adult supervision only.**

Model	Product Code	Compatible Pencil Size(s)
Fusion <sup>2</sup>	40309	8 & 10mm

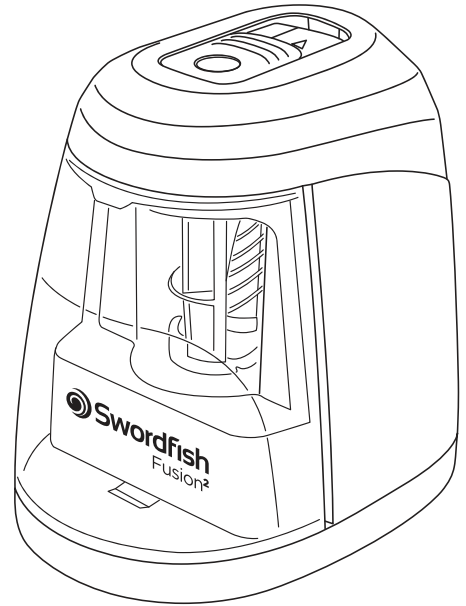
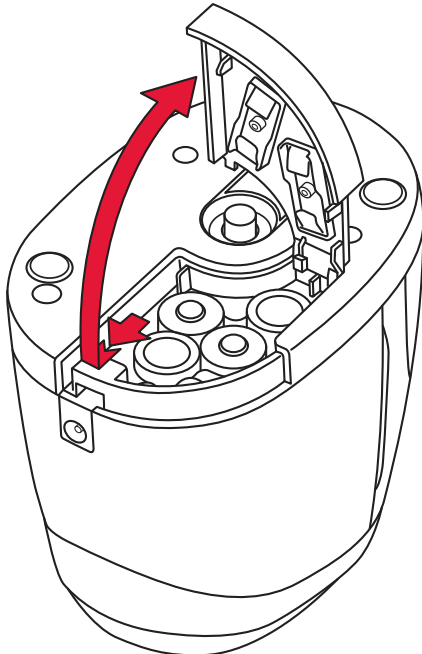
## Fusion<sup>2</sup> Dual Power Pencil Sharpener

# Operating Instructions

1 Insert 4 x AA batteries (not supplied), making sure to observe correct polarity. Remove batteries after use.

Or

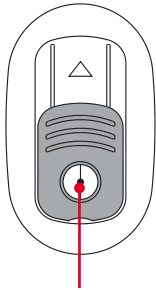
Connect the Power Unit (supplied) to a standard 3-pin socket outlet and insert the jack-plug into the rear of the sharpener.



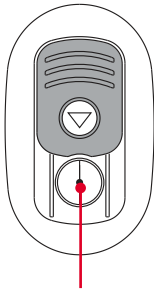
### Precautions when using batteries

- Batteries should be installed by an adult.
- Observe correct polarity when installing batteries, as indicated by the "+" and "-" signs inside the battery compartment.
- Do not use old and new batteries together.
- Batteries of the same type should always be used.
- Do not leave batteries in the sharpener for extended periods as leakage may occur.
- Always dispose of old batteries responsibly.

- 2 Slide the top cover forwards for standard 8mm pencils or backwards for 10mm large pencils. It will click firmly into place.



For standard  
8mm pencils



For large  
10mm pencils

- 4 Insert a pencil. The sharpener will start automatically and stop when the desired sharpness has been achieved.

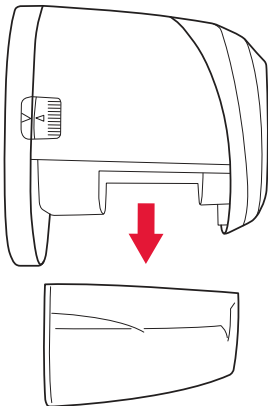
- 6 **Do not allow the shaving tray to over-fill. This can cause serious damage to the sharpener!**

#### Cleaning

To empty the shaving tray, hold the sharpener vertically over a bin before removing the shaving tray.

#### Safety Feature

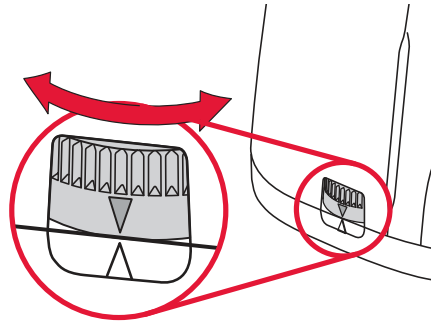
The sharpener will not operate unless the shaving tray is replaced correctly.



#### Caution

- Adult supervision required.
- Do not insert a finger into the sharpener as this may cause injury.
- This is a pencil sharpener. Do not insert any other object.
- Do not immerse this sharpener in water.

- 3 Set the sharpener to produce the point you want, from sharp to blunt.



- 5 If a broken pencil tip blocks the helical blade, press the button on the underside to release it, then tilt and shake the sharpener. The broken tip will exit from the top of the blade assembly.

