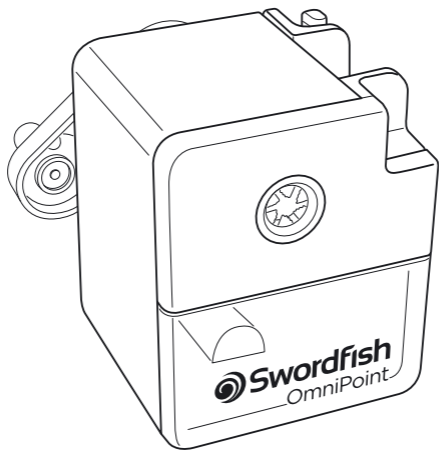




OmniPoint

Mechanical Pencil Sharpener

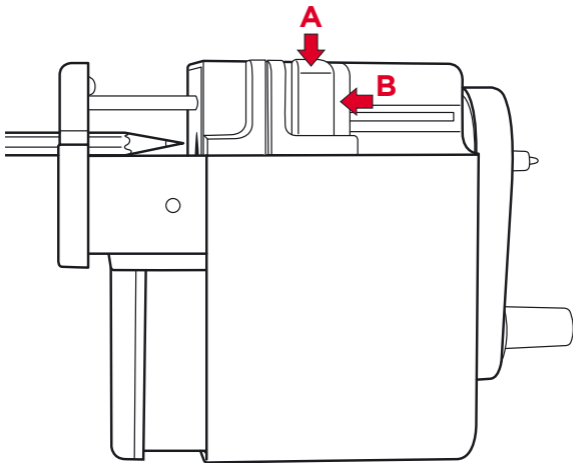


Operating Instructions

Please read the following instructions before operating your sharpener.

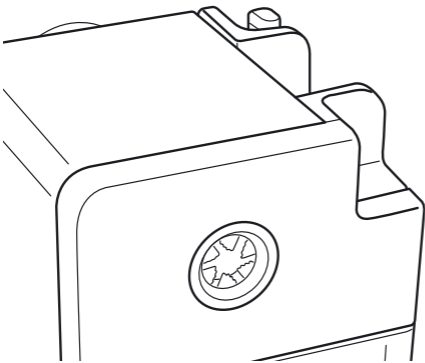
Operating Instructions

- Secure the sharpener to the desktop with the clamp provided.
- Press the button to open the pencil jaws (**A**).
- Push the slide forward to extend the front plate (**B**).
- Insert pencil and release pressure on the button.



Setting

- The pencil jaws will automatically adjust to fit any pencil from 8mm to 12mm diameter.



- Twist the sharpness control to the right for a blunt point, to the left for a sharp point.

Sharpening

- Turn the handle in clockwise direction.
- The pencil will be automatically drawn into the sharpener.
- Sharpening will cease when the desired point has been achieved.

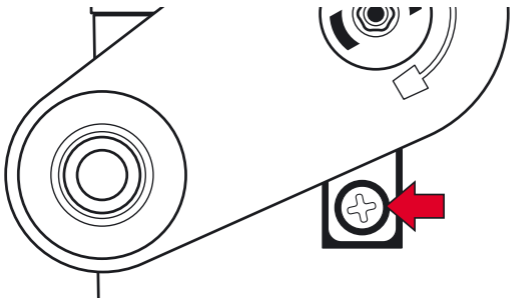
Shavings Tray

- Pull the shavings tray forward to remove it from the sharpener.
- **Do not allow the shavings tray to over-fill as this can cause permanent damage to the sharpener mechanism.**

Clean or replace the blade assembly

 **WARNING - the edges of the helical blade are sharp!**

- Remove the shavings tray.
- Remove the screw indicated.



- Withdraw the blade assembly.
- Clean the helical blade with a stiff brush.
- Clear any blockage with a thin sharp object.
- Replace the blade assembly (code 40306) when it becomes blunt.

For troubleshooting and product support,
please visit www.snopakebrands.com