

Please read the following instructions before operating your sharpener.

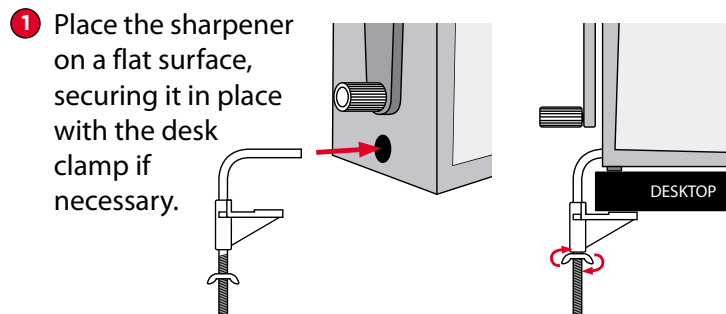


Ikon Manual Pencil Sharpener

Operating Instructions

- To be used under adult supervision only.
- Suitable for standard 8mm diameter pencils only.

Model	Product Code	Replacement Blade Code	Compatible Pencil Size(s)
Ikon	40100	40908	8mm



2 Pull the front plate out until it locks into position.

3 Push the lever down and insert the pencil.

4 Turn the handle **clockwise** to sharpen the pencil. The auto-stop feature will stop sharpening the pencil when it has reached the selected sharpness.

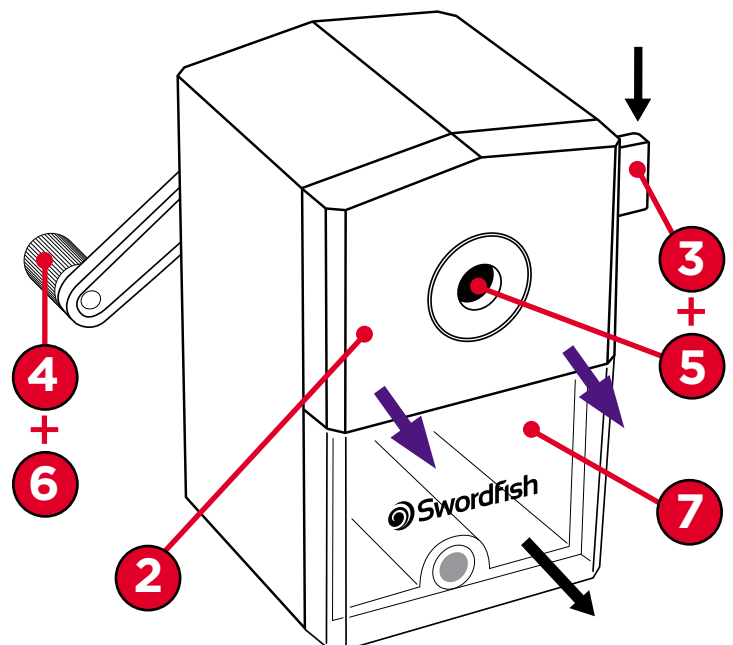
5 Push the lever down and remove the pencil.

6 Turn the handle clockwise to retract the front plate.

7 Empty the shavings tray if necessary by sliding it out from the main sharpener unit.

Replacement Blades

As with all sharpeners, frequent use will eventually blunt the sharpener blade. For replacement blades, please contact your supplier quoting product code **40908**.



Cleaning

Regular cleaning will ensure that your sharpener operates efficiently.

- Use a small brush (e.g. paintbrush or toothbrush) to clean the cutting blade. Never use metal objects as this may damage the cutting blade.
- The shavings tray can be removed and cleaned with water only. Never clean the main sharpener unit with water or use solvents such as alcohol or thinner.

Coloured Pencils

- Sharpening coloured pencils causes wax to build up on the sharpener blade.
- We recommend alternating between coloured and graphite pencils as graphite will help to clean the blade.
- If excessive build up occurs then clean the blade as per the instructions above.